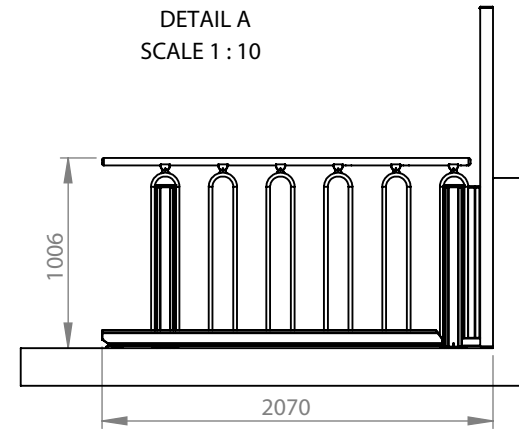
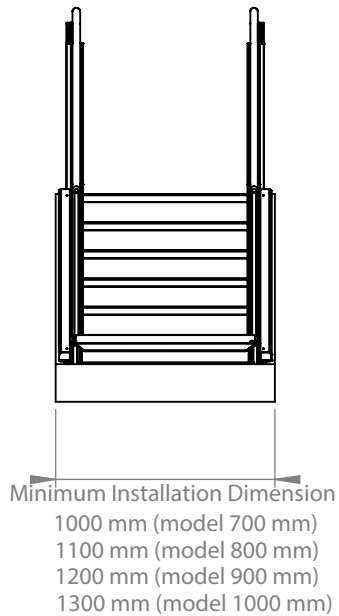
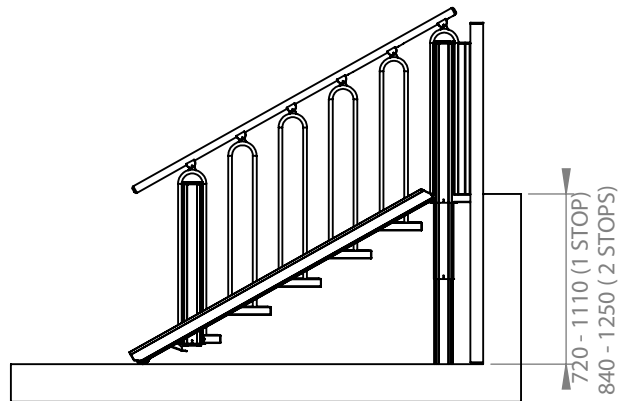


DETAIL A
SCALE 1 : 10

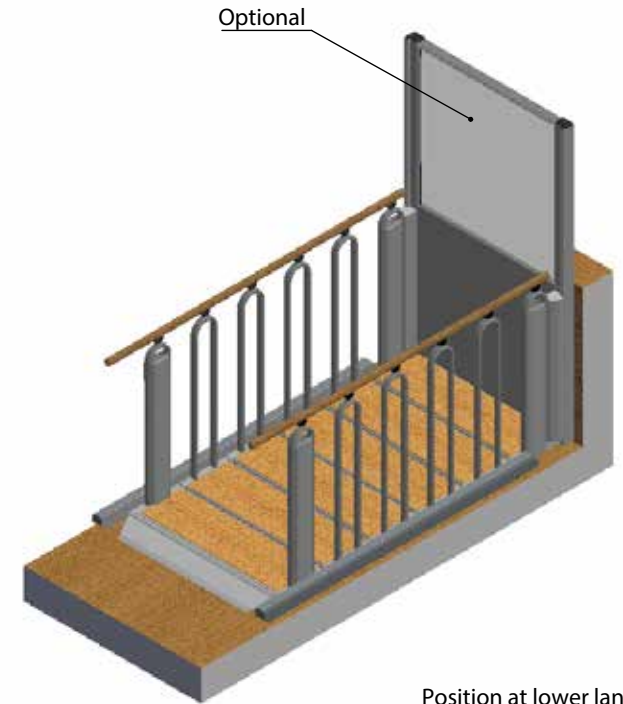


Specs.	Choice	Model:	6 STEPS	
Installation	Indoor	Balustrade:	Round	Last change date: 23-03-2018
Handrails	Oak	Lifting Capacity:	400 kg	Product Name
Step Inserts	Oak	Drawn by:	MP	FLEXSTEP V2
Colour	Akzo Nobel 900	Customer :		Scale: 1:40 A4
Packing	Carton or Wood Pallet Box			
Op. Panel				






Position at top landing

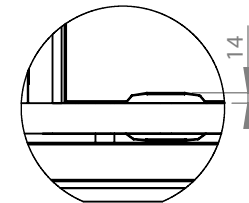
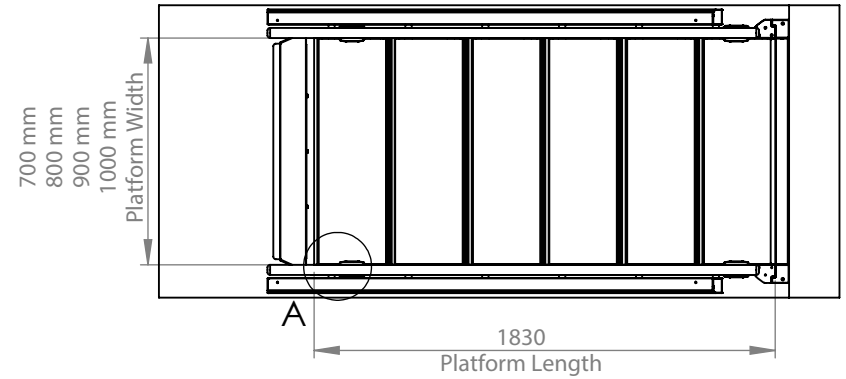
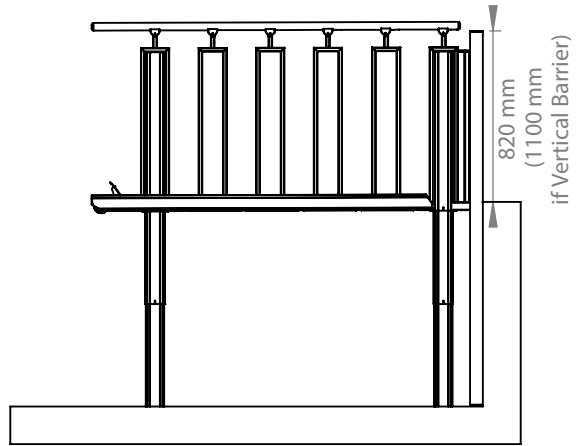
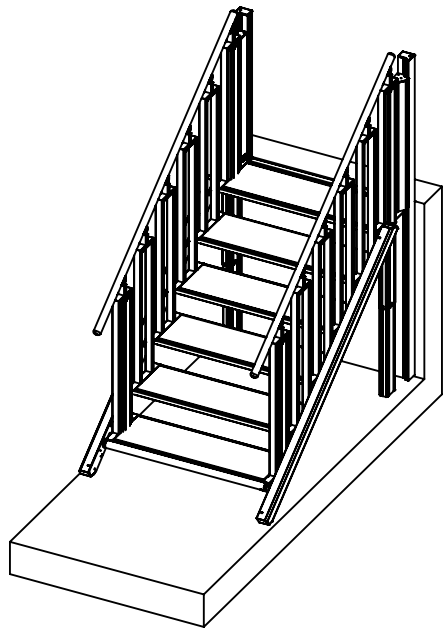


Position at lower landing

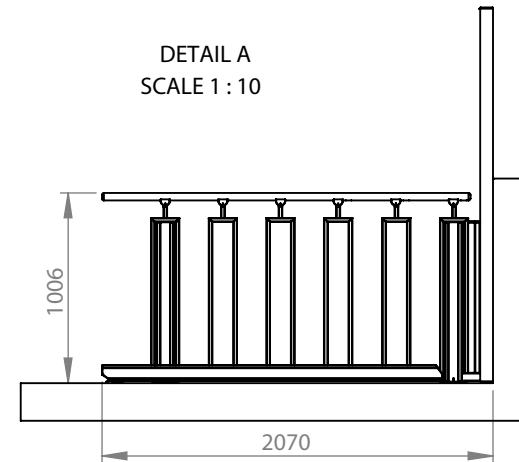
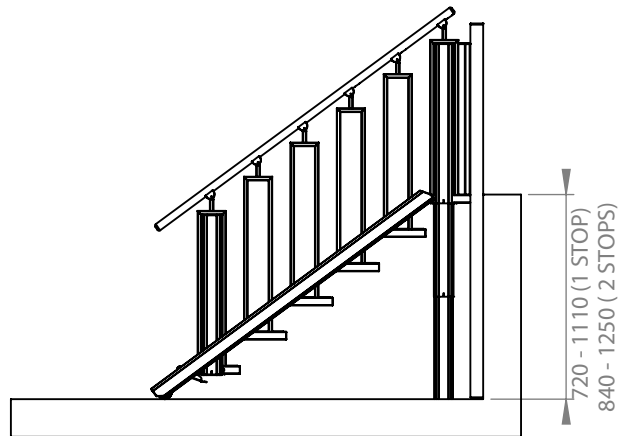


Staircase

Specs.	Choice	Model:	6 STEPS		
Installation	Indoor	Balustrade:	Round	Last change date: 23-03-2018	
Handrails	Oak	Lifting Capacity:	400 kg	Product Name	FLEXSTEP V2
Step Inserts	Oak	Drawn by:	MP	Customer :	
Colour	Akzo Nobel 900			Scale:	1:35
Packing	Carton or Wood Pallet Box				A4
Op. Panel					



DETAIL A
SCALE 1 : 10



Minimum Installation Dimension

- 1000 mm (model 700 mm)
- 1100 mm (model 800 mm)
- 1200 mm (model 900 mm)
- 1300 mm (model 1000 mm)

Specs.	Choice	Model:	6 STEPS	
Installation	Indoor	Balustrade:	Square	Last change date: 23-03-2018
Handrails	Oak	Lifting Capacity:	400 kg	Product Name
Step Inserts	Oak	Drawn by:	MP	FLEXSTEP V2
Colour	Akzo Nobel 900	Customer :		Scale: 1:40 A4
Packing	Carton or Wood Pallet Box			
Op. Panel				

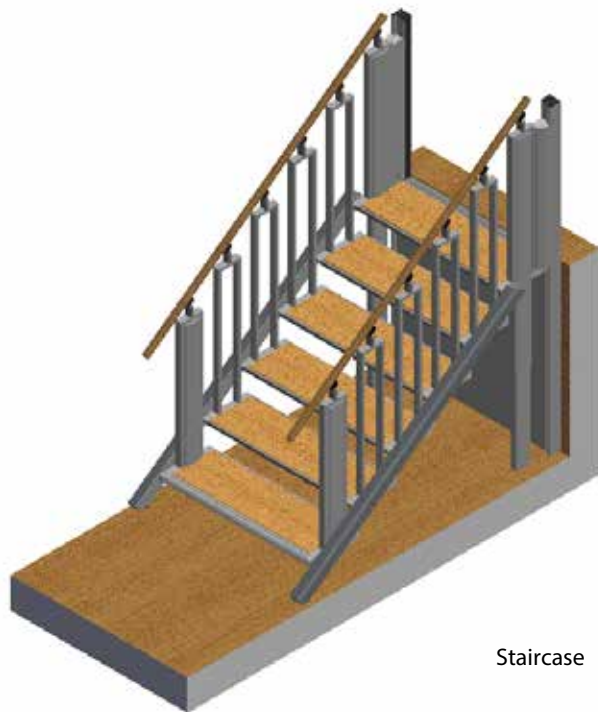




Position at top landing



Position at lower landing



Staircase

Specs.	Choice	Model:	6 STEPS	
Installation	Indoor	Balustrade:	Square	Last change date: 23-03-2018
Handrails	Oak	Lifting Capacity:		
Step Inserts	Oak	Drawn by:	MP	Customer :
Colour	Akzo Nobel 900			
Packing	Carton or Wood Pallet Box			
Op. Panel				



Product Name
FLEXSTEP V2
Scale: 1:35 A4