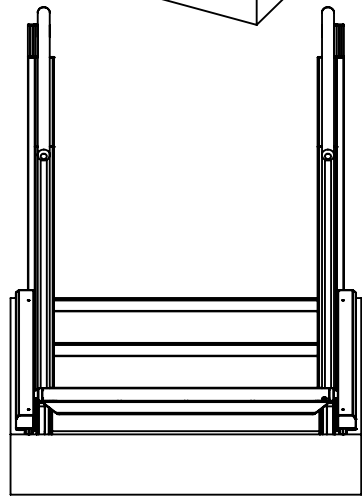
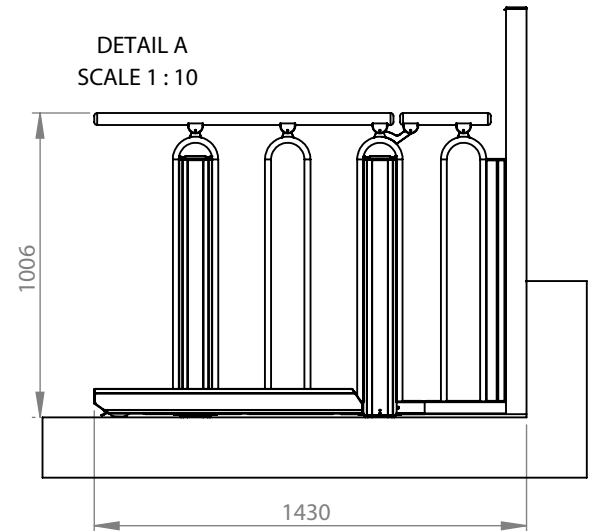
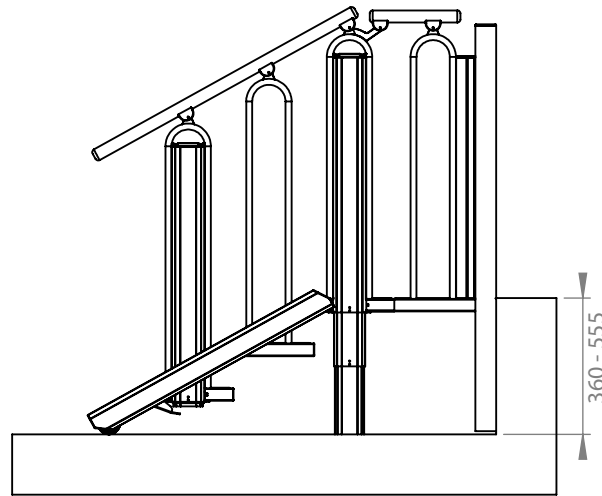


DETAIL A
SCALE 1 : 10



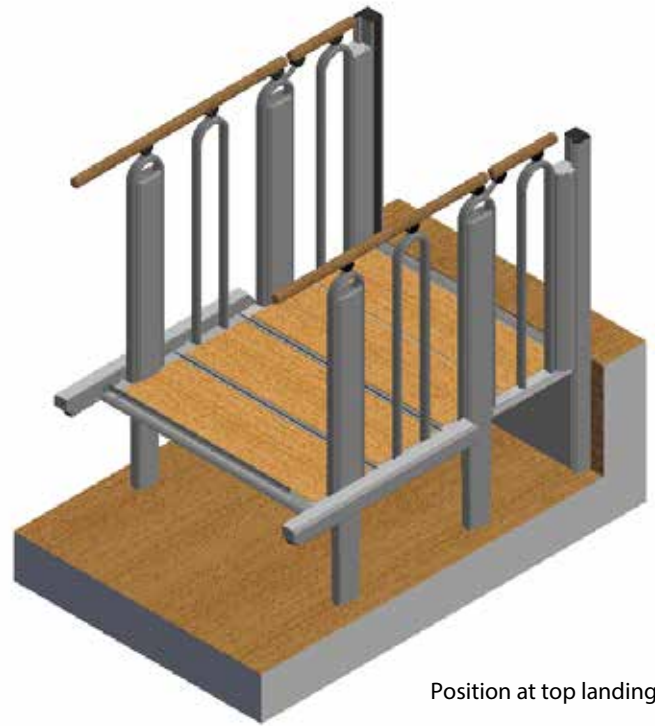
Minimum Installation Dimension

- 1000 mm (model 700 mm)
- 1100 mm (model 800 mm)
- 1200 mm (model 900 mm)
- 1300 mm (model 1000 mm)

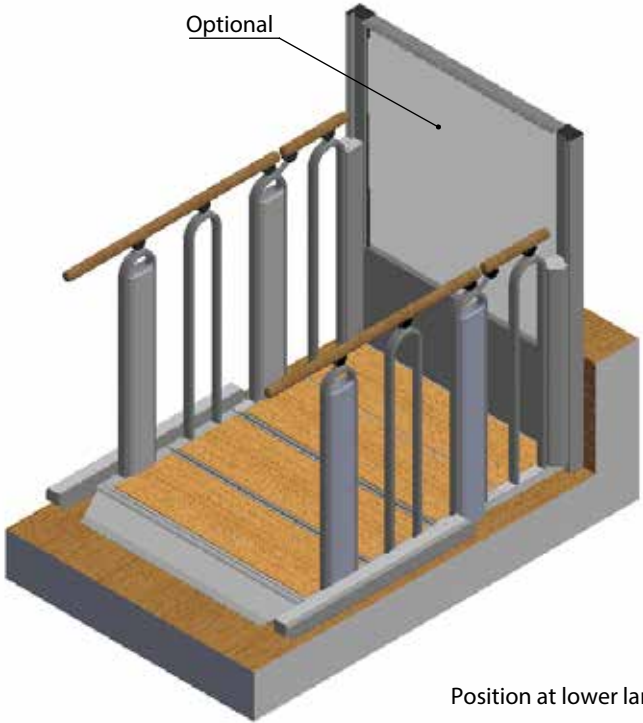


| | | | | |
|--------------|---------------------------|-------------------|-----------|---------------------------------|
| Specs. | Choice | Model: | 3+1 STEPS | |
| Installation | Indoor | Balustrade: | Round | Last change date: 23-03-2018 |
| Handrails | Oak | Lifting Capacity: | 400 kg | Product Name |
| Step Inserts | Oak | Drawn by: | MP | FLEXSTEP V2 |
| Colour | Akzo Nobel 900 | Customer : | | Scale: 1:25 A4 |
| Packing | Carton or Wood Pallet Box | | | |
| Op. Panel | | | | |

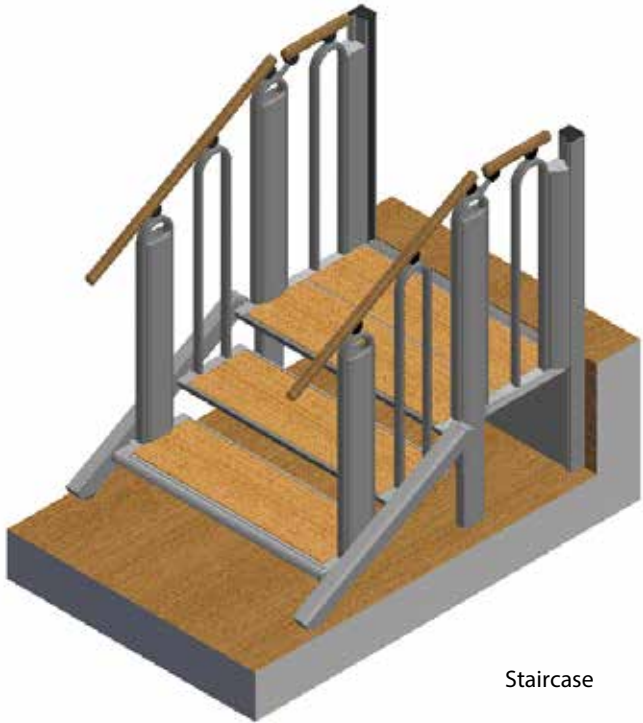




Position at top landing



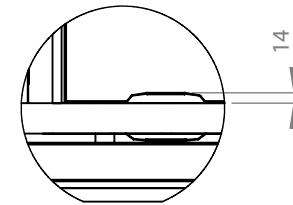
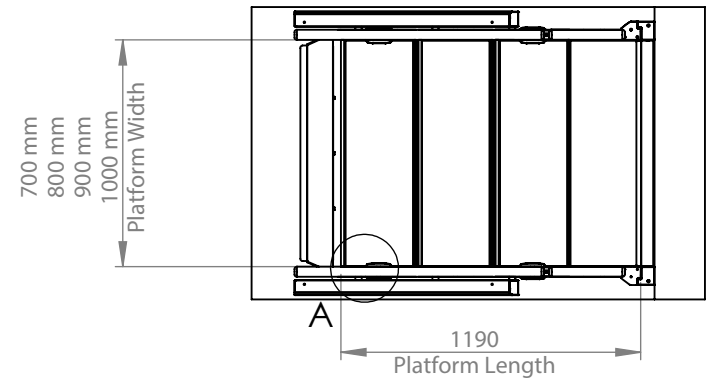
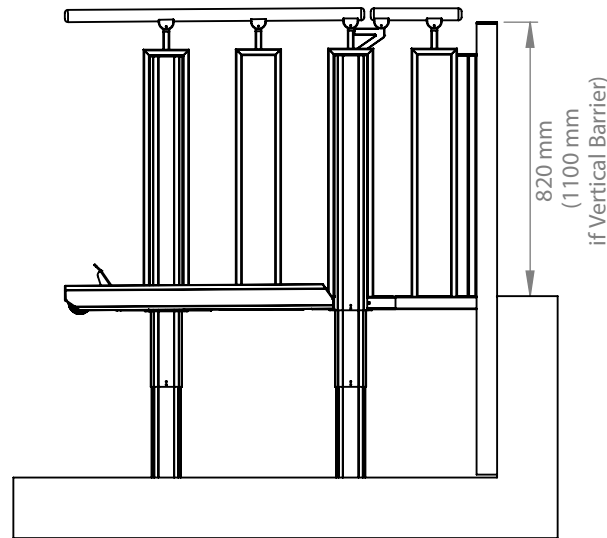
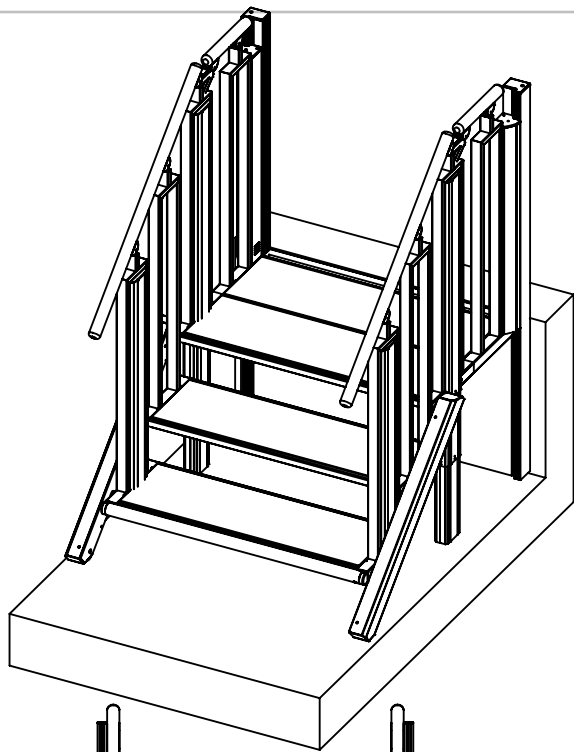
Position at lower landing



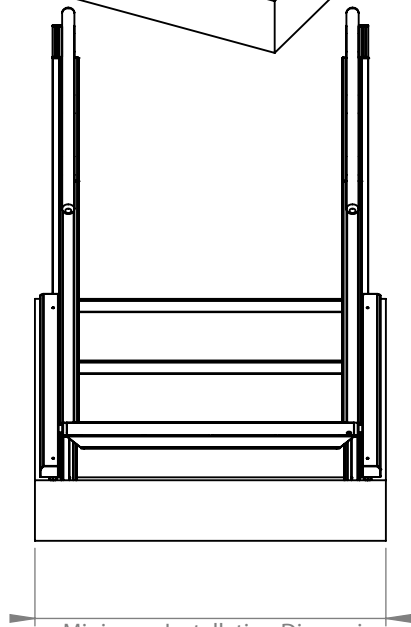
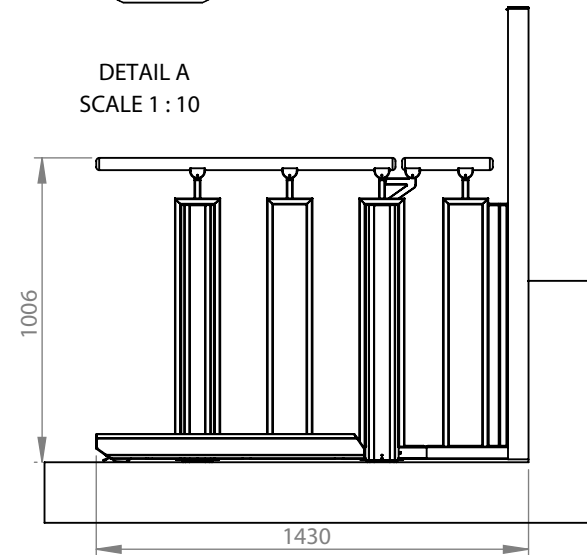
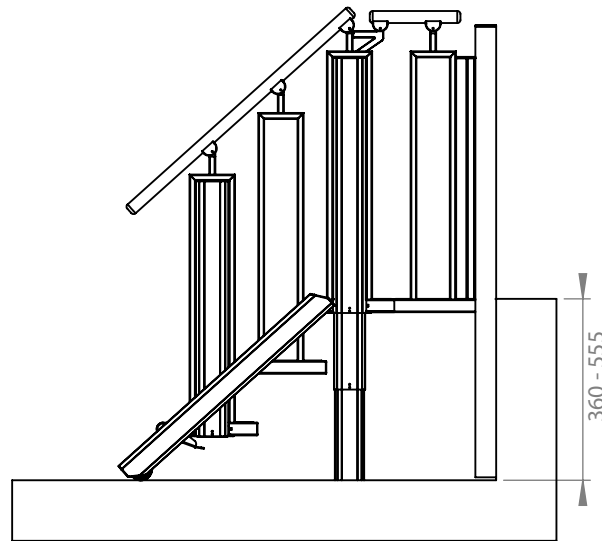
Staircase

| | | | | |
|--------------|---------------------------|-------------------|-----------|-------------------|
| Specs. | Choice | Model: | 3+1 STEPS | |
| Installation | Indoor | Balustrade: | Round | Last change date: |
| Handrails | Oak | | | 23-03-2018 |
| Step Inserts | Oak | Lifting Capacity: | 400 kg | Product Name |
| Colour | Akzo Nobel 900 | | | FLEXSTEP V2 |
| Packing | Carton or Wood Pallet Box | Drawn by: | MP | Customer : |
| Op. Panel | | | | Scale: |





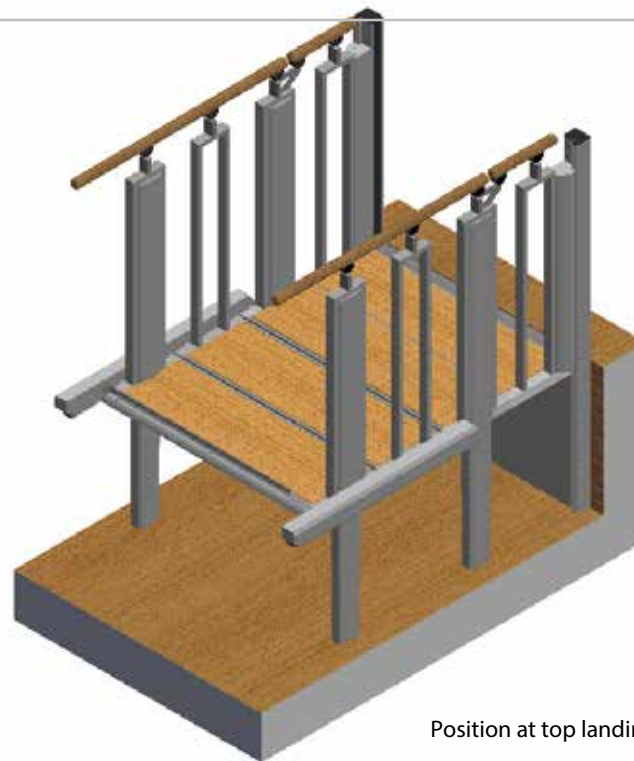
DETAIL A
SCALE 1 : 10



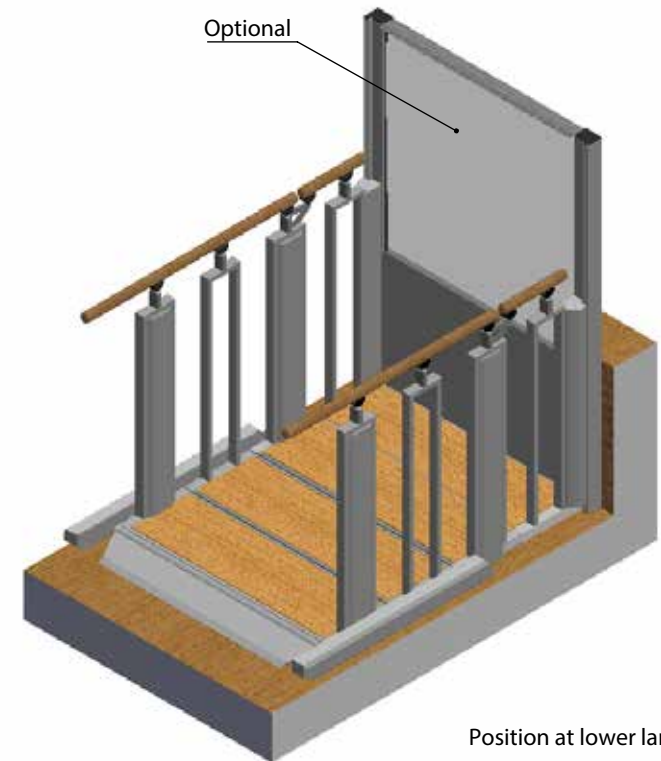
Minimum Installation Dimension
 1000 mm (model 700 mm)
 1100 mm (model 800 mm)
 1200 mm (model 900 mm)
 1300 mm (model 1000 mm)

| | | | | |
|--------------|---------------------------|-------------------|-----------|------------------------------|
| Specs. | Choice | Model: | 3+1 STEPS | |
| Installation | Indoor | Balustrade: | Square | Last change date: 23-03-2018 |
| Handrails | Oak | Lifting Capacity: | 400 kg | Product Name |
| Step Inserts | Oak | Drawn by: | MP | FLEXSTEP V2 |
| Colour | Akzo Nobel 900 | Customer : | | Scale: 1:25 A4 |
| Packing | Carton or Wood Pallet Box | | | |
| Op. Panel | | | | |





Position at top landing



Position at lower landing



Staircase

| | | | | |
|--------------|---------------------------|-------------------|-----------|-------------------|
| Specs. | Choice | Model: | 3+1 STEPS | |
| Installation | Indoor | Balustrade: | Square | Last change date: |
| Handrails | Oak | | | 23-03-2018 |
| Step Inserts | Oak | Lifting Capacity: | 400 kg | Product Name |
| Colour | Akzo Nobel 900 | | | FLEXSTEP V2 |
| Packing | Carton or Wood Pallet Box | Drawn by: | MP | Customer : |
| Op. Panel | | | | Scale: 1:25 A4 |

