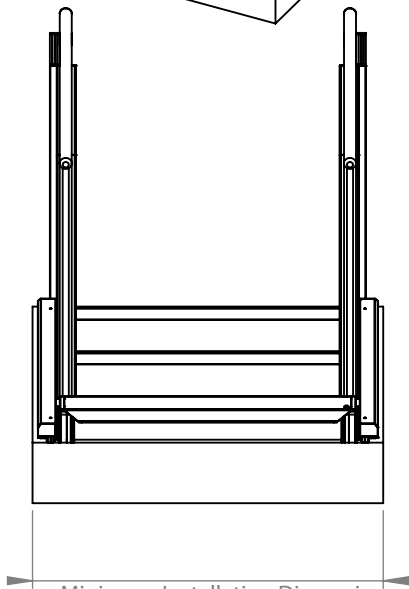
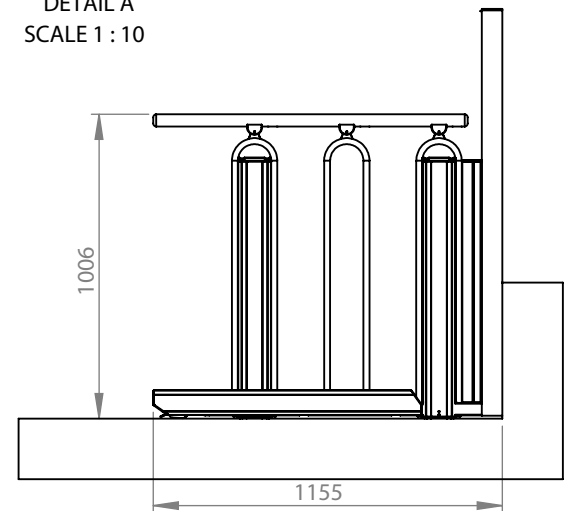
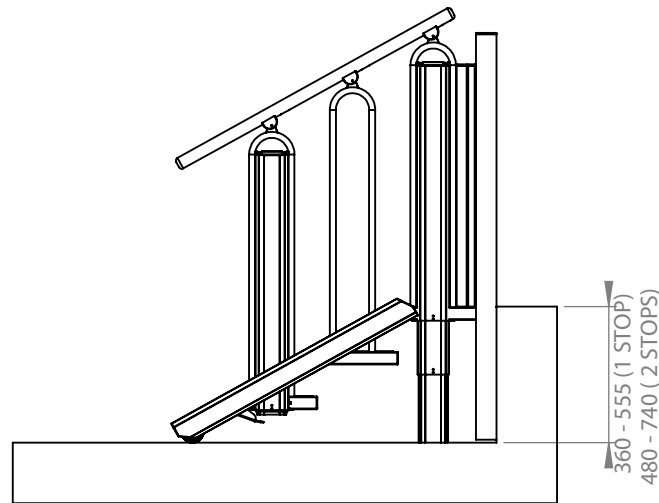


DETAIL A
SCALE 1 : 10

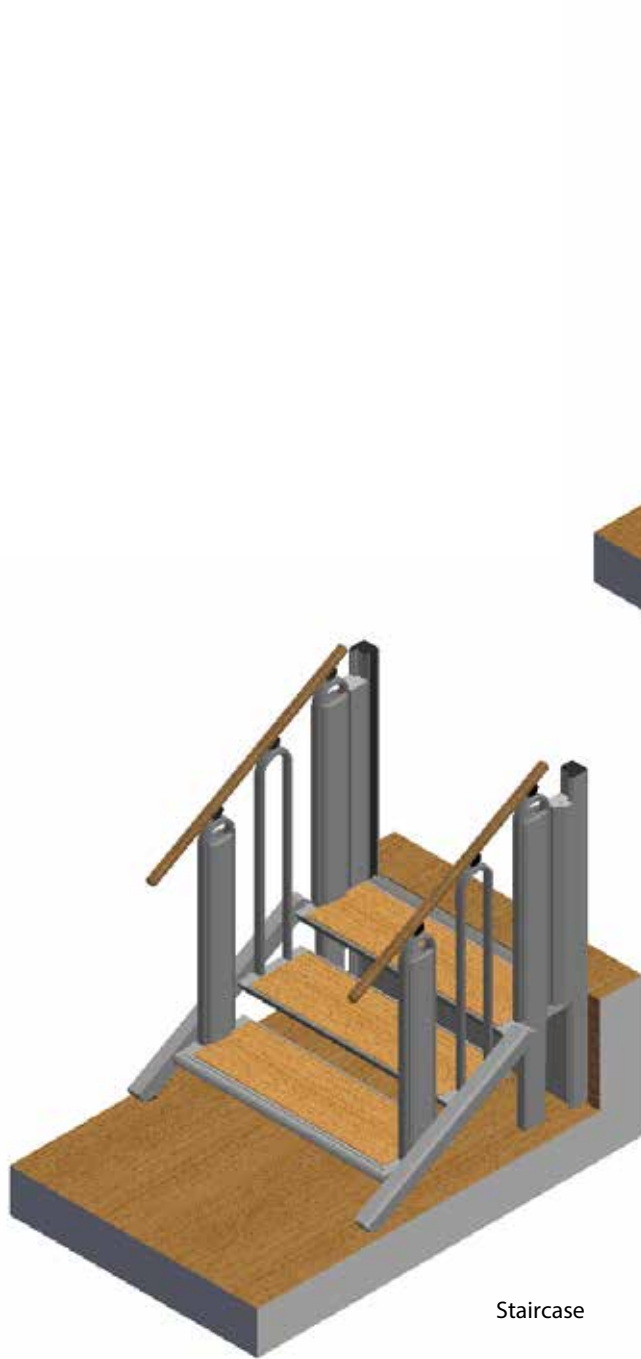


Minimum Installation Dimension
 1000 mm (model 700 mm)
 1100 mm (model 800 mm)
 1200 mm (model 900 mm)
 1300 mm (model 1000 mm)

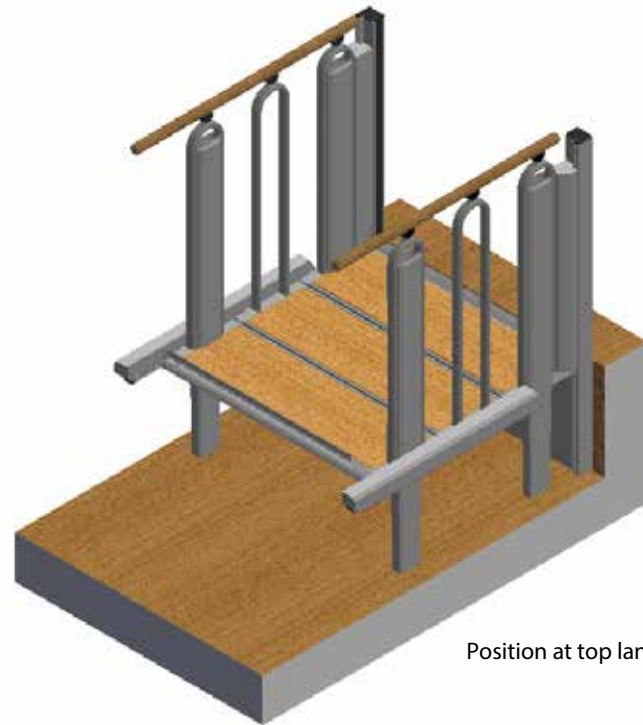


Specs.	Choice	Model:	3 STEPS	
Installation	Indoor	Balustrade:	Round	Last change date: 23-03-2018
Handrails	Oak	Lifting Capacity:	400 kg	Product Name
Step Inserts	Oak	Drawn by:	MP	FLEXSTEP V2
Colour	Akzo Nobel 900	Customer :		Scale: 1:25 A4
Packing	Carton or Wood Pallet Box			
Op. Panel				

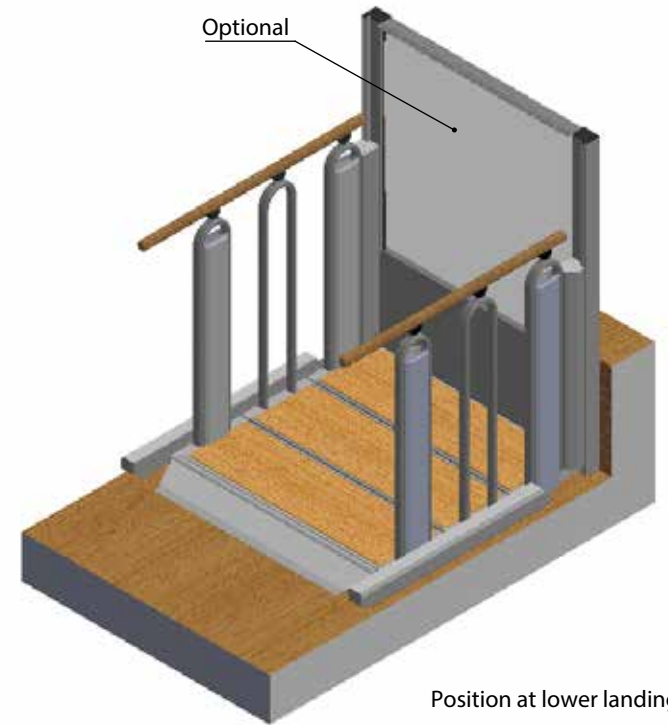





Staircase

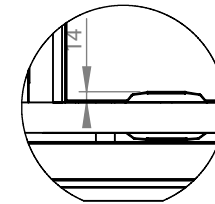
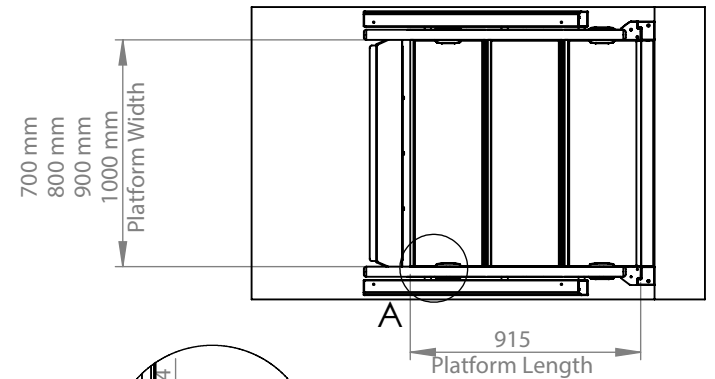
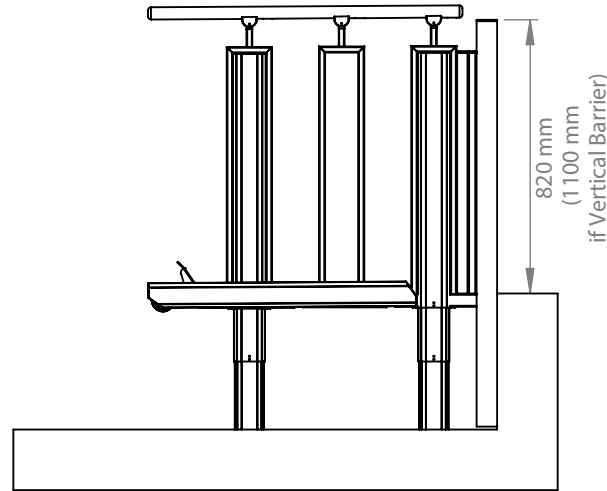
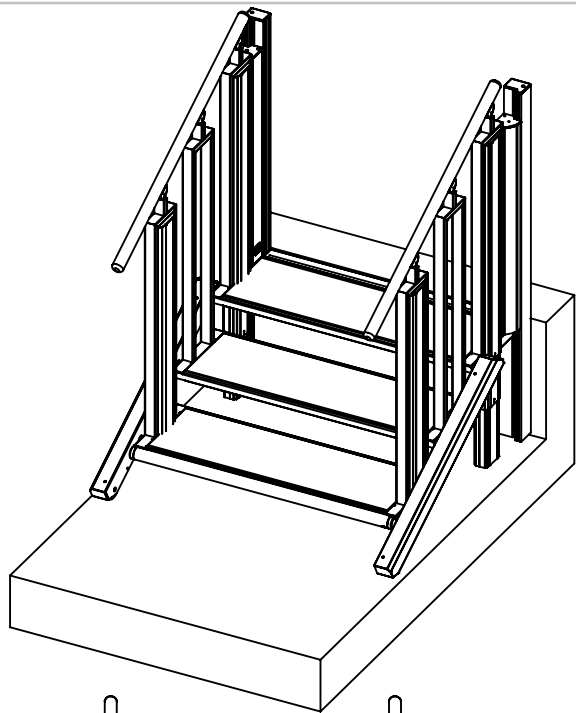


Position at top landing

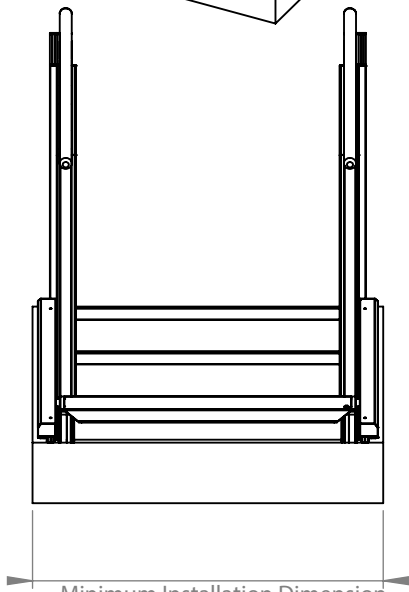


Position at lower landing

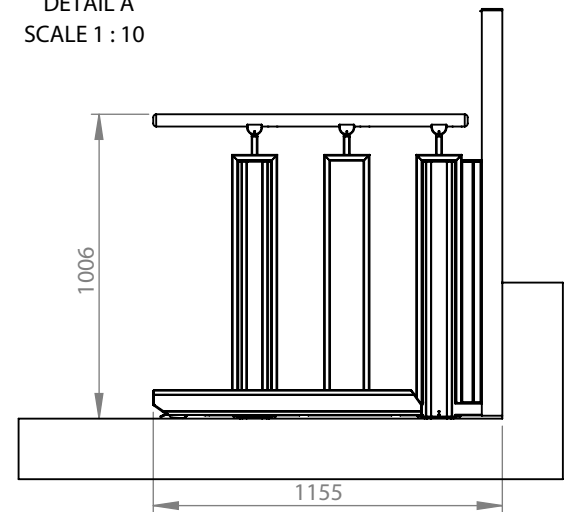
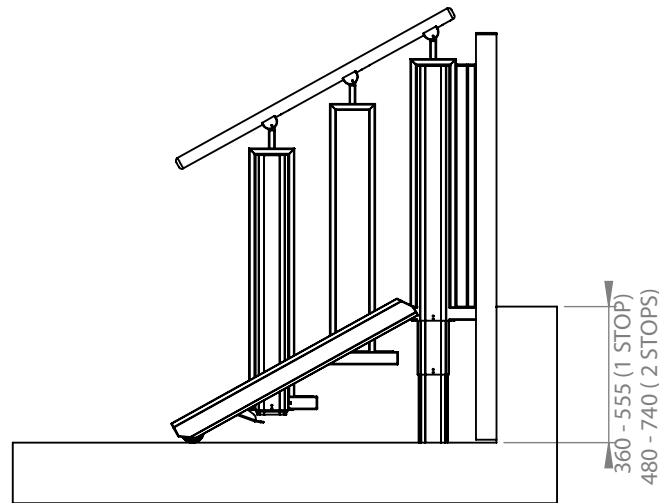
Specs.	Choice	Model:	3 STEPS		
Installation	Indoor	Balustrade:	Round	Last change date: 23-03-2018	
Handrails	Oak	Lifting Capacity:	400 kg	Customer :	Product Name
Step Inserts	Oak	Drawn by:	MP		FLEXSTEP V2
Colour	Akzo Nobel 900				Scale: 1:25 A4
Packing	Carton or Wood Pallet Box				
Op. Panel					



DETAIL A
SCALE 1 : 10

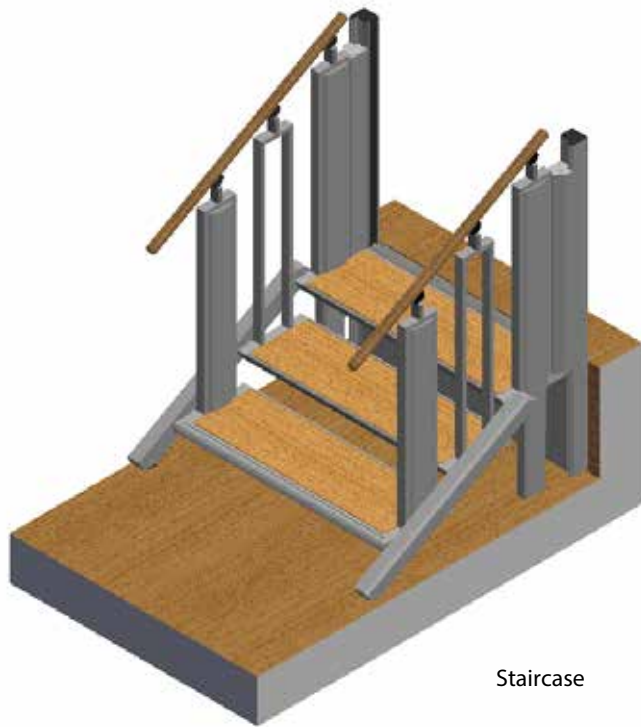


Minimum Installation Dimension
 1000 mm (model 700 mm)
 1100 mm (model 800 mm)
 1200 mm (model 900 mm)
 1300 mm (model 1000 mm)

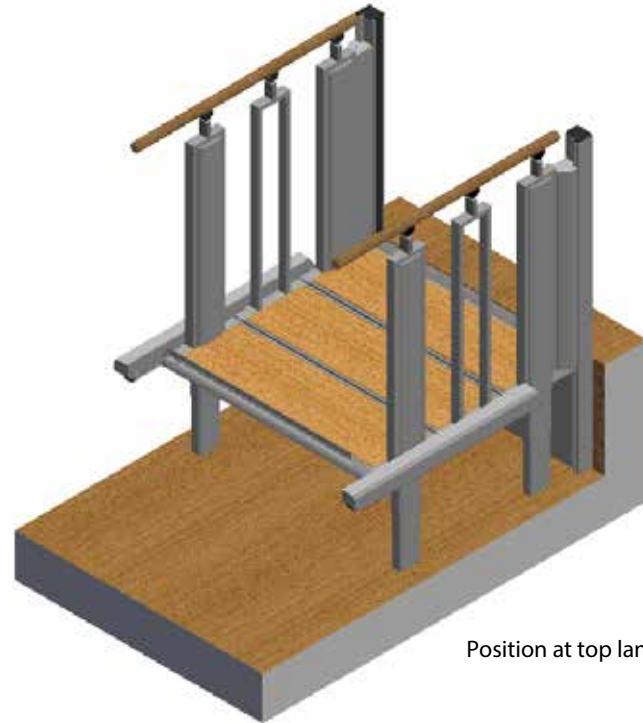


Specs.	Choice	Model:	3 STEPS	
Installation	Indoor	Balustrade:	Square	Last change date: 23-03-2018
Handrails	Oak	Lifting Capacity:	400 kg	Product Name
Step Inserts	Oak	Drawn by:	MP	FLEXSTEP V2
Colour	Akzo Nobel 900	Customer :		Scale: 1:25 A4
Packing	Carton or Wood Pallet Box			
Op. Panel				

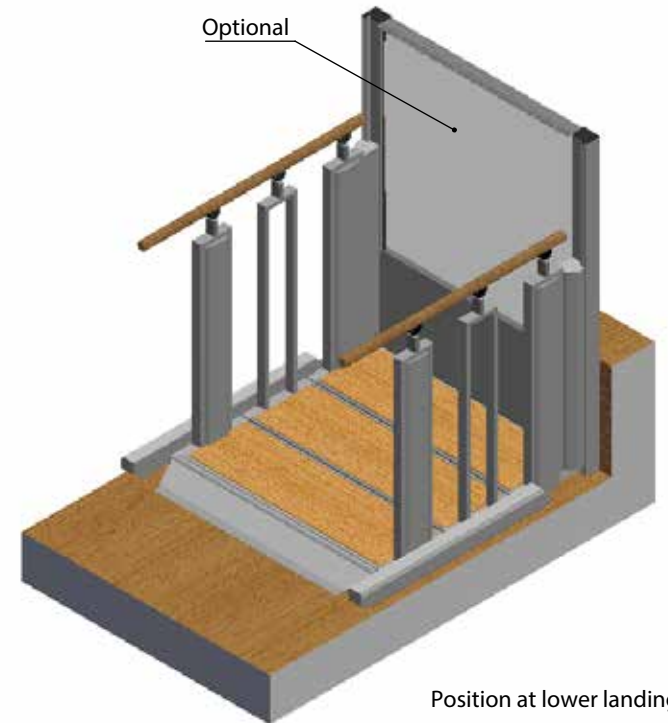




Staircase



Position at top landing



Position at lower landing

Specs.	Choice	Model:	3 STEPS	
Installation	Indoor	Balustrade:	Square	Last change date: 23-03-2018
Handrails	Oak	Lifting Capacity:		
Step Inserts	Oak	Drawn by:	MP	Customer :
Colour	Akzo Nobel 900			
Packing	Carton or Wood Pallet Box			
Op. Panel				
				Product Name
				FLEXSTEP V2
				Scale: 1:25 A4

